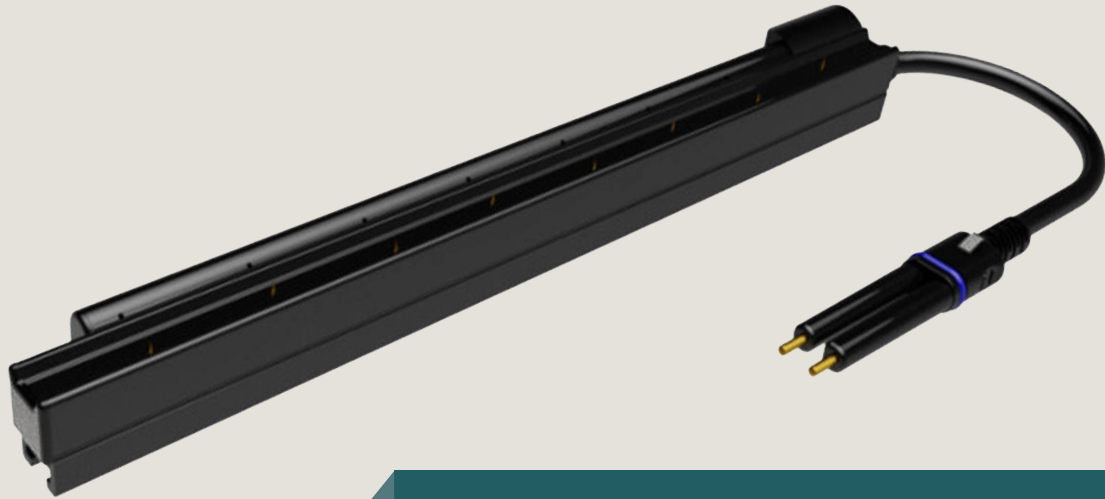


**KERSTEN®**

# Electrode

## DE 206 L



The DE 206 L with air support ensures the effective elimination of existing static charge over longer ranges and is able to achieve an additional cleaning effect.

### THE PRODUCT

### PRODUCT BENEFITS

- Touch-safe
- Small cross-section
- Vacuum-cast
- Adaptable to the perfect inch

### CUSTOMER BENEFITS

- Plug-in system
- Longlife product
- Minimum maintenance

### WHY KERSTEN?

- Made in Germany for over 40 years
- Needs-based consultation
- Tailor-made solutions
- Fast delivery

### GENERAL

Supply voltage	U	kV DC	<+6.0/>-4.5
Power consumption per 1m electrode length at max. supply voltage	I <sub>max</sub>	µA	250
Connection type			neXt® - plug-in
Grid width (tip distance)		mm	25
Available total lengths	L	mm	90 - 840*

### DETAILS

Effective distance (possible / optimal)		mm	10-300 / 20-60
Min. distance to metal areas (lateral / in operating direction)		mm	10 / 40
Air consumption (length 1.0m) at 0.2 - 2.5bar		m <sup>3</sup> /h	4.5 - 26.5
Air connection		mm	Ø 8.0
Max. available high voltage cable length		m	120
- Grid up to 2,0m / - Grid from 2,0m		m	0.1 / 0.5
Minimum bend radius of cable			
- Fixed installation / - Constant movement	R	mm	15 / 30

### CLIMATIC CONDITIONS

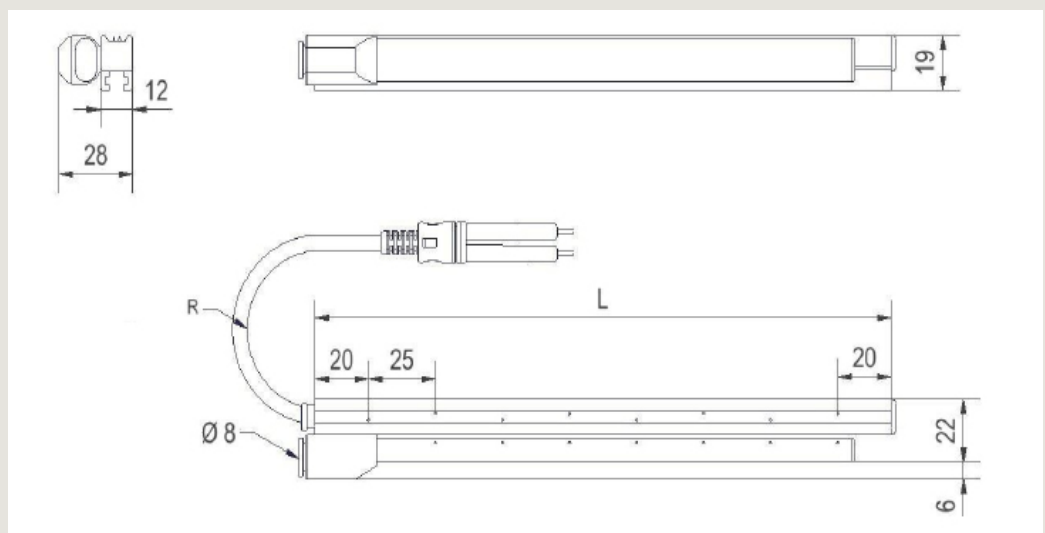
Temperature during transport and storage	T	°C / °F	-25- +85 / -13- +185**
Temperature during operation	T	°C / °F	+5- +80 / +41- +176***
Relative humidity / compressed air support ( non-condensing)	RH	%	<80 / <60

### DIMENSIONS

	L/W/H	mm	L / 28 / 19
--	-------	----	-------------

\*active length = total length -40mm \*\*acc. UL50 TypB / class 3K3 max. +70 °C (+158 °F) \*\*\*acc. UL50 TypB / class 3K3 max. +70 °C (+158 °F)

## TECHNICAL DRAWING



All dimension measurements in mm

### KERSTEN ELEKTROSTATIK GMBH

Walter-Knoell-Straße 3  
 D-79115 Freiburg | Germany  
 T +49 761 47944-0 | F +49 761 47944-99  
 info@kersten.de | www.kersten.de

