

**KERSTEN®**

# Generator DG 206X (O-OFFSET)



## THE PRODUCT

The discharging generator DG 206 X (0-Offset) can be used to supply all the next® discharging components. The generator is designed for use in extreme conditions and for difficult materials.

## BENEFITS

- Patented DC Voltage
- Compact Design
- Plug-in System
- Highest output of ions

## CUSTOMER BENEFITS

- No EMC problems
- Installation in the smallest of spaces
- Flexible expansion options
- Maintenance free

### GENERAL INFORMATION

Supply voltage	$U_{\text{enn}}$	V DC	24+-20%
Internal protection	I	A	1,0
Max. operating current	$I_b$	A	0,63
Max. active power	P	W	15
Control voltage	$U_{\text{st}}$	V DC	24+-20%
Max. current control circuit	$I_{\text{st}}$	A	1,0
Error output voltage	$U_f$	V DC	24+-20%
Max. error output voltage	$I_f$	A	0,4
Error output voltage inverted	$U_{\text{fi}}$	V DC	24+-20%
Max. error output voltage inverted	$I_{\text{fi}}$	A	0,4

### DETAILS

Output voltage	$U_a$	kV DC	set individually
Max. output voltage	$I_{\text{max}}$	mA	0,9
Type of protection			IP54
Number of high voltage slots			2
Type of connection			neXt® - plug-in

### CLIMATE CONDITIONS

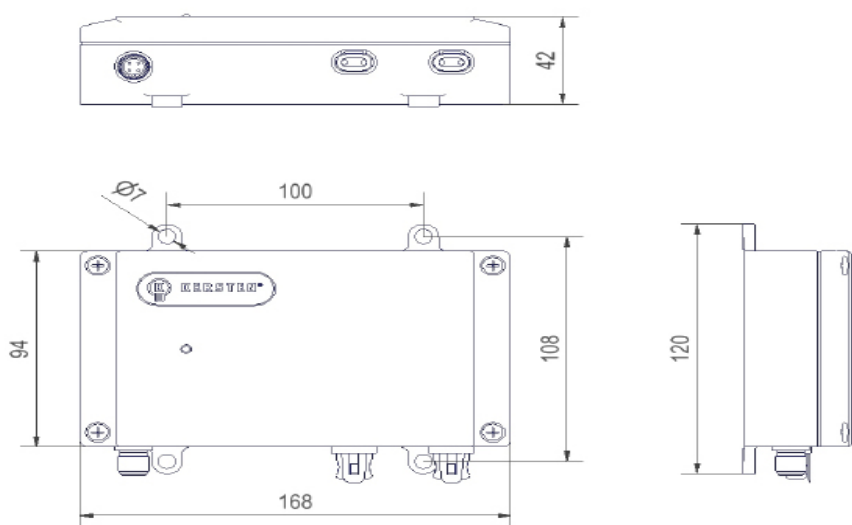
Temperature during transport and storage	T	°C / °F	-25 - +85 / -13- +185*
Temperature during operation	T	°C / °F	+5 - +50 / +41- +122**
relative humidity (non-condensing)	RH	%	<80

### DIMENSIONS

	L/W/H	mm	168/120/42
--	-------	----	------------

\* acc. to UL50 Type B / Class 3K3 max. 70 °C (+158 °F) \*\* acc. to UL50 Type B / Class 3K3 max. 40 °C (+104°F)

## TECHNICAL DRAWING



All dimension measurements in mm

### KERSTEN ELEKTROSTATIK GMBH

Walter-Knoell-Straße 3  
D-79115 Freiburg | Germany  
T +49 761 47944-0 | F +49 761 47944-99  
info@kersten.de | www.kersten.de

