

KERSTEN®

Discharging Head

DK 106



THE PRODUCT

The discharging head DK 106 ensures the elimination of electrostatic charges on a wide variety of materials. DK 106 distinguishes itself through its high discharge capacity, variable positioning, and slim construction depth.

BENEFITS

- Compact design
- Patented bipolar DC voltage
- Continuous flow of ions
- Excellent cleaning results

CUSTOMER BENEFITS

- Installation in the smallest of spaces
- No EMC problems
- Easy to install
- Plug-in System

GENERAL

Supply voltage	U	kV DC	<+4.5 / > -3.3
Power input at max. supply voltage	I_{max}	μA	30
Connection type			neXt® - Stecksystem
Effective range (possible / ideal)		mm	10-80 / 10-50

DETAILS

Max. length high-voltage cable		m	120
- Grid up to 2.0m / - Grid from 2.0m			0.1 / 0.5
Minimum bending radius of cable			
- Fixed installation / - Constant motion	R	mm	15 / 30
Minimum distance to metal areas (lateral / in operating direction)		mm	10 / 40

CLIMATIC CONDITIONS

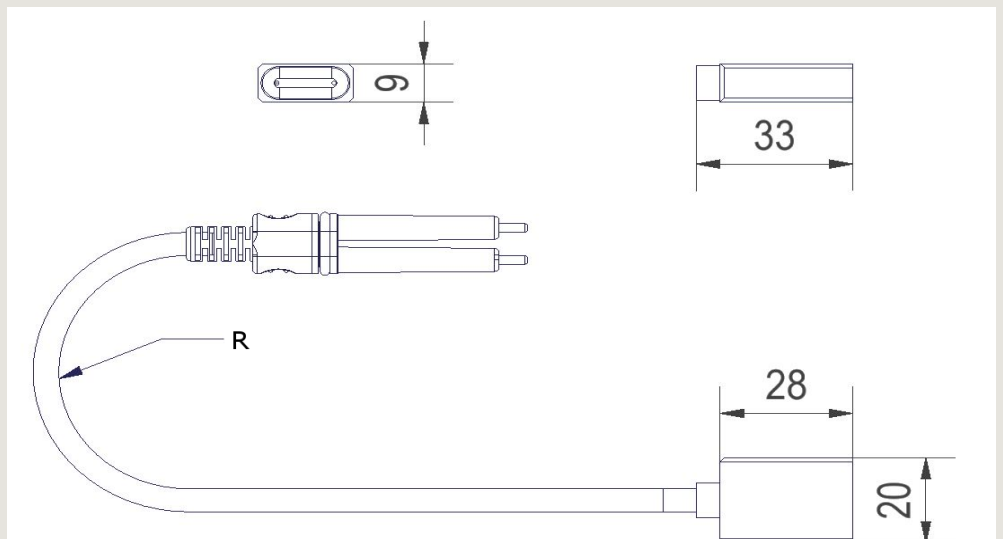
Temperature during transport and storage	T	°C / °F	-25 - +85 / -13 - +185*
Temperature during operation	T	°C / °F	+5 - +80 / +41 - +176**
Relative humidity (non-condensing)	RH	%	<80

DIMENSIONS

	L/W/H	mm	33/20/9
--	-------	----	---------

*acc. UL50 TypB / class 3K3 max. +70 °C (+158 °F) **acc. UL50 TypB / class 3K3 max. +70 °C (+158 °F)

TECHNICAL DRAWING



All dimension measurements in mm

KERSTEN ELEKTROSTATIK GMBH

Walter-Knoell-Straße 3
 D-79115 Freiburg | Germany
 T +49 761 47944-0 | F +49 761 47944-99
 info@kersten.de | www.kersten.de

